

**Micro Speaker**

**Model: OSR17R-3.8M0.5W8M**



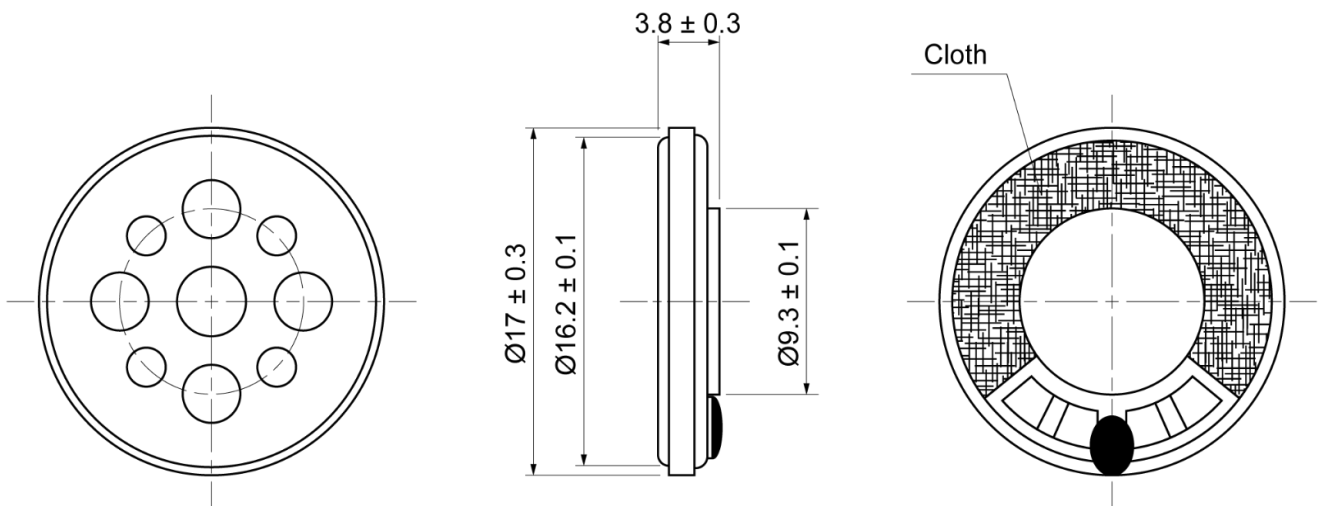
**ELECTRICAL SPECIFICATIONS**

	Condition	Parameter	Unit
Sound Pressure Level	at 0.1W, 10cm [at 0.8, 1.0, 1.2, 1.5 KHz]	88 ± 3	dB
Impedance	at 1V, 1KHz	8 ± 10%	Ω
Rated Input Power		0.5	W
Max Input Power		1	W
Resonant Frequency (Fo)	at 1V	1000 ± 15%	Hz
Frequency Range		Fo ~ 5000	Hz
Buzzer & Rattles	not be audible at sine wave between Fo ~ 5KHz	2	V
Operating Temperature		-30 ~ 60	°C
Magnet		Nd-Fe-B	
Frame Material		PBT	
Cone Material		Mylar (PEI)	
Weight		1.8	g

**MECHANICAL DRAWING**

Dimensions in mm

Tolerance ±0.3mm Except Specified

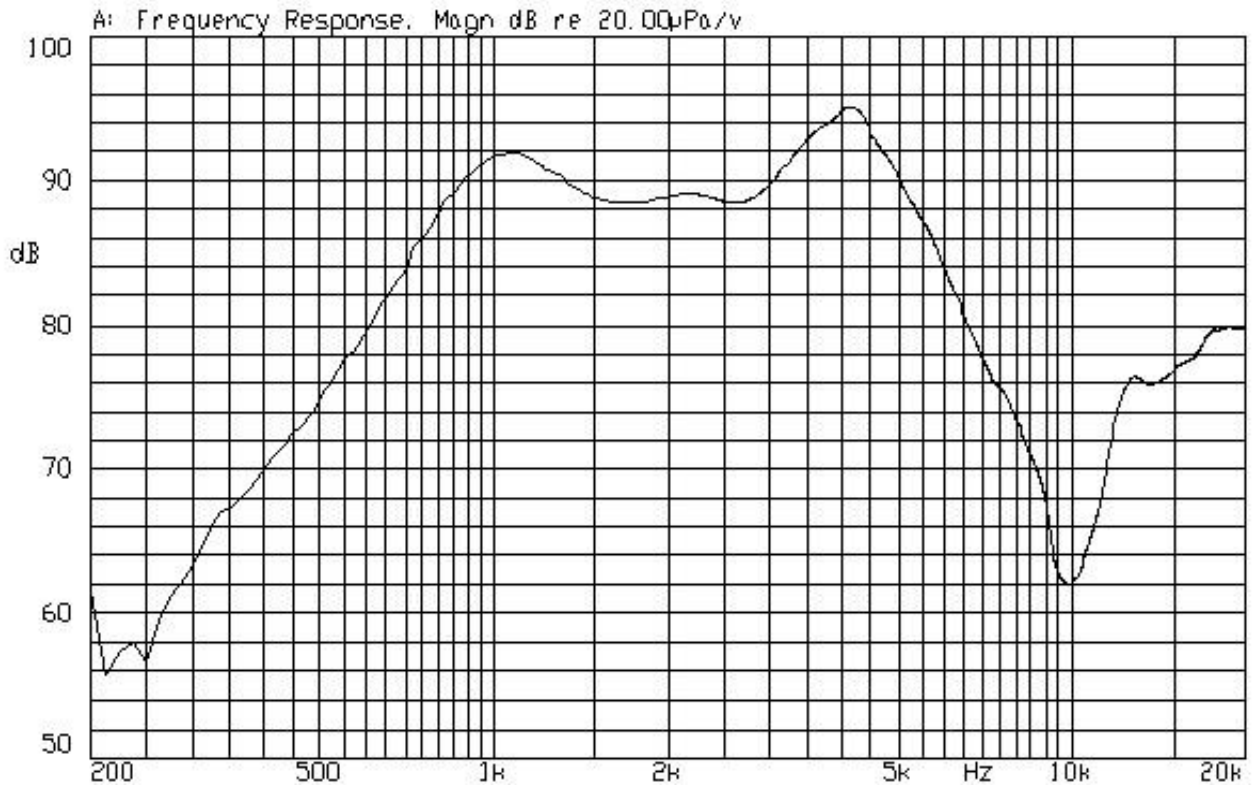


**Micro Speaker**

**Model: OSR17R-3.8M0.5W8M**

**FREQUENCY RESPONSE CURVE**

UGS1708-02W100 0.1m 0.1W 0.89V



08-FEB-2006 16:09:25

Mode: TSR

